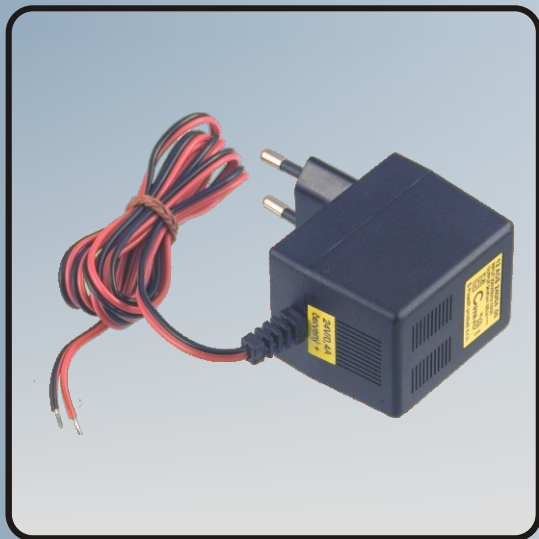




Switch mode power supplies

12ADS series

Max. output power 12W



This product is intended for general use to feed electric and electronic devices in covered rooms, in environments without risk of explosion.

Power supplies are PLUG-IN type

Stabilized output voltage

Voltage range from 3,1V to 48V

Output - twin-lead wire

Protection degree IP20

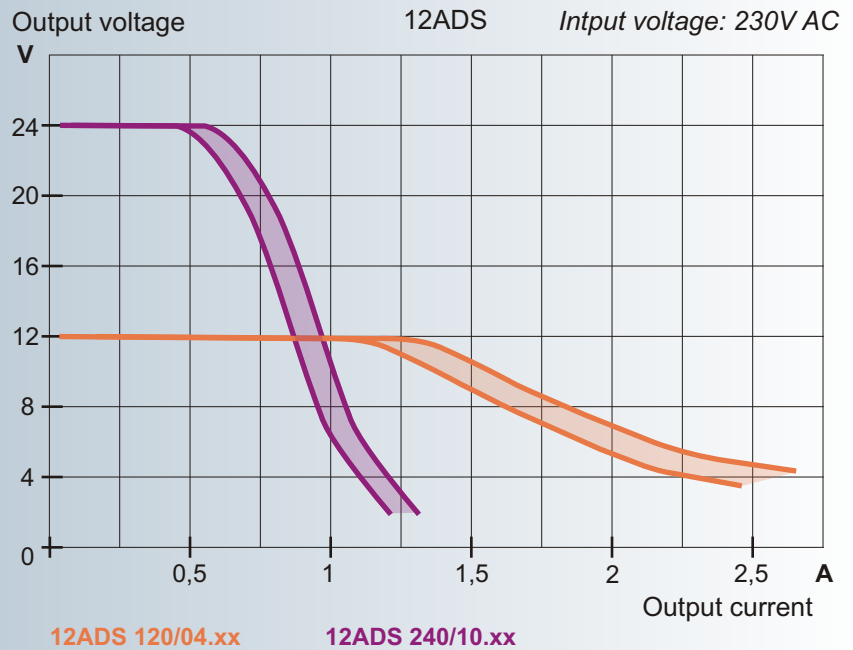
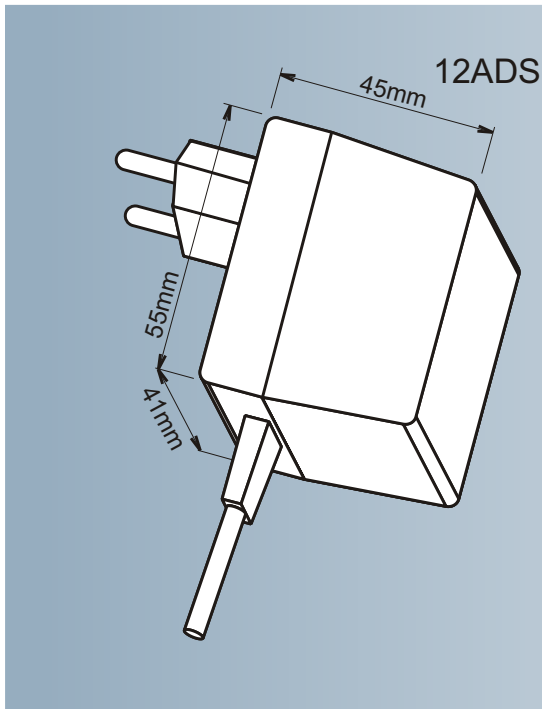
	Output voltage	Output current	Stability	Ripple 50 Hz max.	Noise p-p max.
12ADS030/10.xx	3,1 V	1 A	2 %	<70 mV	<100 mV pp
12ADS050/10.xx	5,1 V	1 A	2 %	<70 mV	<100 mV pp
12ADS069/10.xx	6,9 V	1 A	2 %	<70 mV	<100 mV pp
12ADS090/10.xx	9 V	1 A	1 %	<50 mV	<100 mV pp
12ADS120/10.xx	12 V	1 A	1 %	<50 mV	<100 mV pp
12ADS138/08.xx	13,8 V	0,8 A	1 %	<50 mV	<100 mV pp
12ADS150/07.xx	15 V	0,7 A	1 %	<60 mV	<100 mV pp
12ADS180/06.xx	18 V	0,6 A	1 %	<60 mV	<100 mV pp
12ADS240/04.xx	24 V	0,4 A	1 %	<60 mV	<100 mV pp
12ADS276/03.xx	27,6 V	0,3 A	1 %	<60 mV	<100 mV pp
12ADS480/02.xx	48 V	0,25 A	1 %	<70 mV	<100 mV pp

.xx - double-digit number defines type of connector on output wire

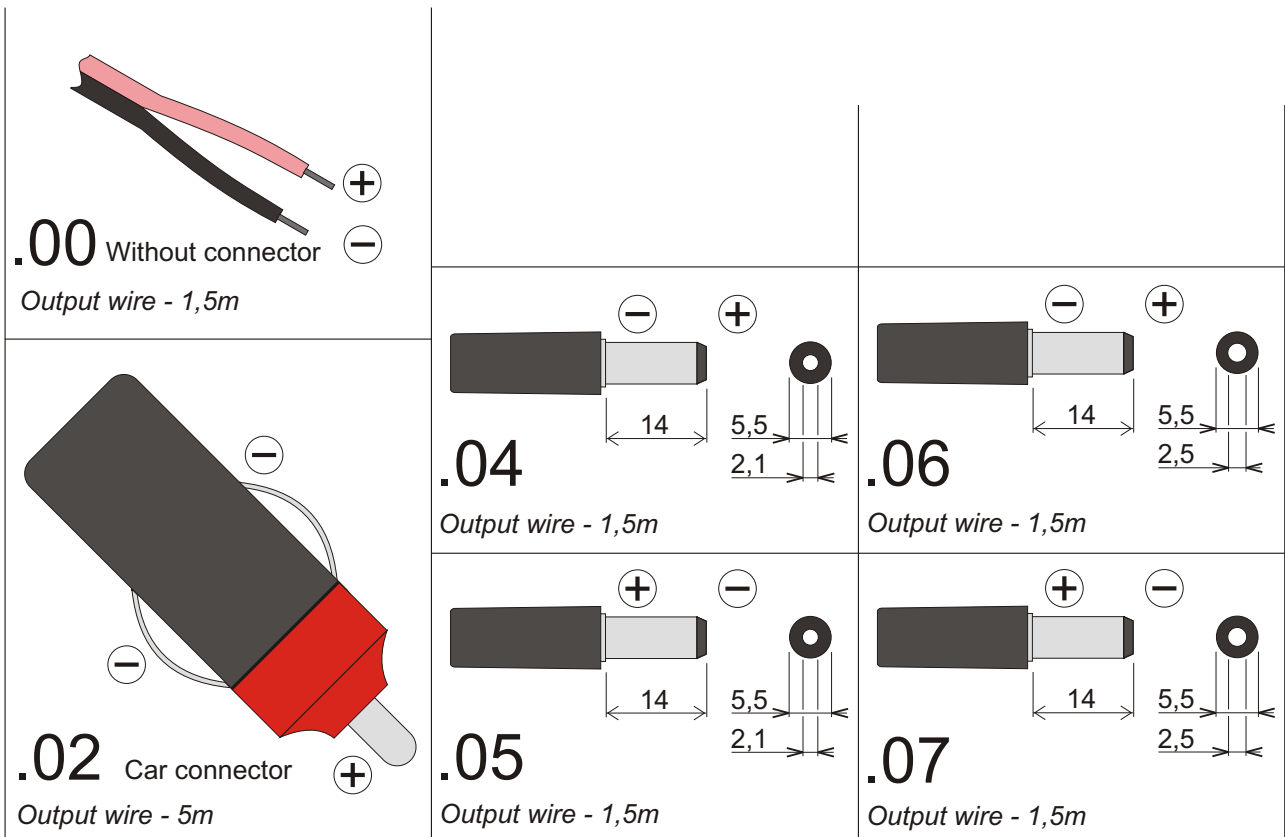
.00 - without output connector

TECHNICAL SPECIFICATION

Input voltage	195 - 255 V AC
Operating temperature	-15 °C to +40 °C
Short-circuit protection on output	< 1 min. (short-term)
Insulation voltage	3 000 V AC
Weight	130 g
Electrical safety standard	EN 60950-1:2003
EMC standards	EN 55011+A1:2002
	EN 61000-3-2:2002
	EN 61000-3-3:2000+A1:2003
	EN 61000-6-1:2003



Customer can choose the type of connector after consultation with manufacturer.



... usage of car connector .02

Using of car connector, e.g. for 13,8 V power supplies of type 12ADS makes it possible, among other, to maintain accumulators in charged state directly in vehicle through lighter connector or through specially for this purpose led out connector. It can be used to advantage with fire service vehicles, that have to be always ready to drive out and while parking startup accumulators lose capacity due to self discharge and in winter also because of low temperature.